



greenfiber[®]
creators of S A N C T U A R Y[®]

Imagine A Home That Restores Well Being

With Fire and Sound Rated Greenfiber[®] Assemblies

quiet | comfort | protected

Your Home Should Be Your Sanctuary

We bring peace, quiet, comfort and safety to a house — while improving the health and well-being of those who call it home. Your home should be your sanctuary. A safe place to just be. Now it can with assemblies built with Greenfiber® insulation.

In addition to fire safety, wall assemblies built with Greenfiber can help effectively meet our health needs. A noisy home can drastically impact sleep quality, often linked to health issues like obesity, diabetes and heart disease. Materials are an important part of the solution. Walls that are built with denser, sound-absorbent materials do a better job at controlling airflow, reducing pathways not only for sound, but also outdoor allergens, odors and pollutants; making a home more comfortable at every level.



**60% Reduction
in Sound Power¹**
Reduced noise
from the outside



Exceptional Sound Performance & Enhanced Comfort

Greenfiber Insulation can be spray-applied or dense-packed into walls, ceilings and floors. Installed at higher densities than other fiber insulations, our product perfectly fills tight spaces around electrical, plumbing or HVAC features; reducing air infiltration and mitigating sound, while helping to equalize temperatures and isolate unwanted airflow. Our installation process eliminates the need to fit, cut or split the insulation and ensures a consistent install every time.





Advanced Fire Resistance

Greenfiber insulation is treated with minimal amounts of non-toxic, active fire retardant material that provides advanced fire resistance and qualifies Greenfiber to be used as a fire-blocking product. Our insulation meets all federal, state, and local fire safety requirements, and carries a Class 1A fire rating. In addition, our Greenfiber SANCTUARY FRM insulation, is specially formulated for single-family attached housing and is capable of providing a 2-hour firewall assembly.



With a flame spread of 25 or less, Greenfiber has a Class 1 Fire rating. Walls with Greenfiber insulation are one-hour (or greater) fire walls and can help control the spread of fire. Greenfiber also has a very low smoke development index level.

Fireblocking In Every Install

Greenfiber insulation products may be used as fire blocking materials in accordance with Section 718.2.1 of the 2018 and 2015 IBC, Section R302.11.1 and Section R602.8 of the 2018 and 2015 IRC, and may be used as alternatives to the fire blocking materials required in Section R302.11.1 of the 2008 and 2015 IRC.

The insulation may be placed in concealed spaces of wood or steel stud walls and partitions of combustible construction with stud spacing up to 24 inches (610 mm) on center.

FRM, our proprietary solution for superior sound and fire control, provides 2 & 3 hour firewalls in separation walls, and stairwells in multifamily commercial and hospitality spaces.



2-Hour Firewall²

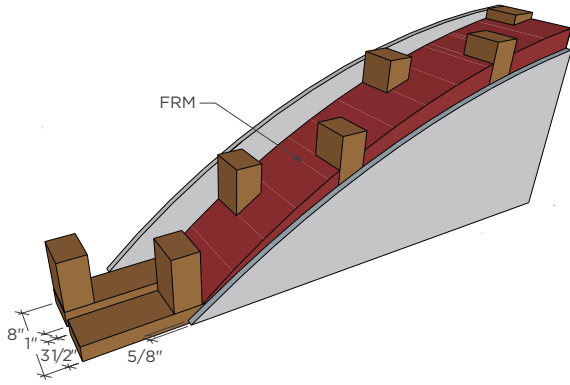
More time to escape



Only Greenfiber SANCTUARY FRM may be used as a fireblocking material in the UL-U370 assembly. This product can be identified by its proprietary a terracotta color.



The SANCTUARY Two-Hour Firewall is a proprietary UL assembly that uses GreenFiber SANCTUARY FRM sprayed-applied cellulose insulation to completely fill the wall cavity for a defect-free installation that eliminates unintended airflow and reduces sound and odor transmission between townhome units. Reach out to your area representative to learn more: www.greenfiber.com



STC 56

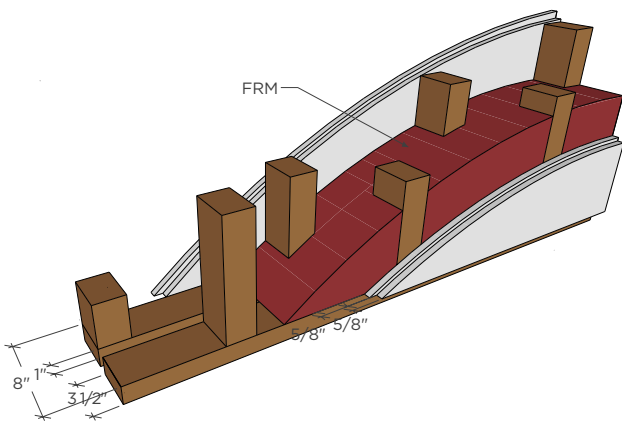
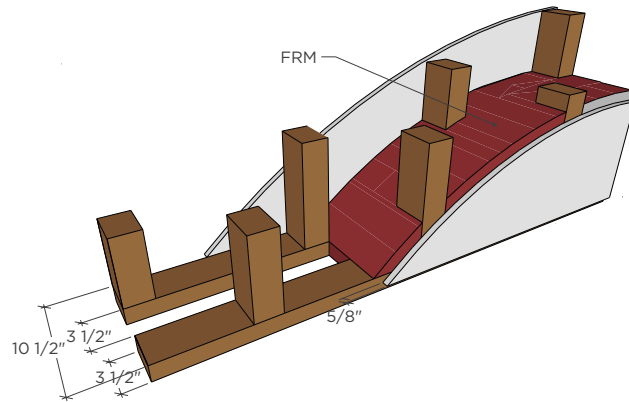
2x4 double wall 16" on center staggered.
1" gap between walls. FRM100 spray-applied
5/8" sheetrock type C.

Fire rating: 2HR: U/GA# U370:
STC testing RAL TL06-199

STC 61

2x4 double wall 16" on center staggered.
3.5" gap between walls. FRM100 spray-applied
single layer 5/8" sheetrock type C.

Fire rating: 2HR: U/GA# U370:
STC testing RAL TL06-xxx



STC 63

2x4 double wall 16" on center staggered.
1" gap between walls. FRM100 spray-applied
two layers 5/8" sheetrock type C.

Fire rating: 2HR: U/GA# U370:
STC testing RAL TL06-201